

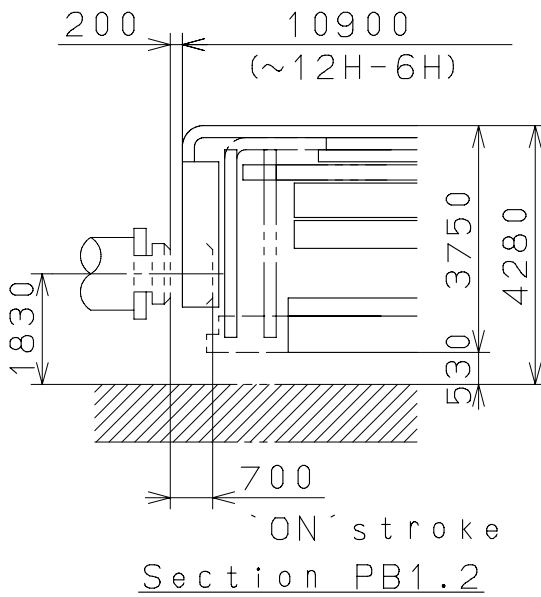
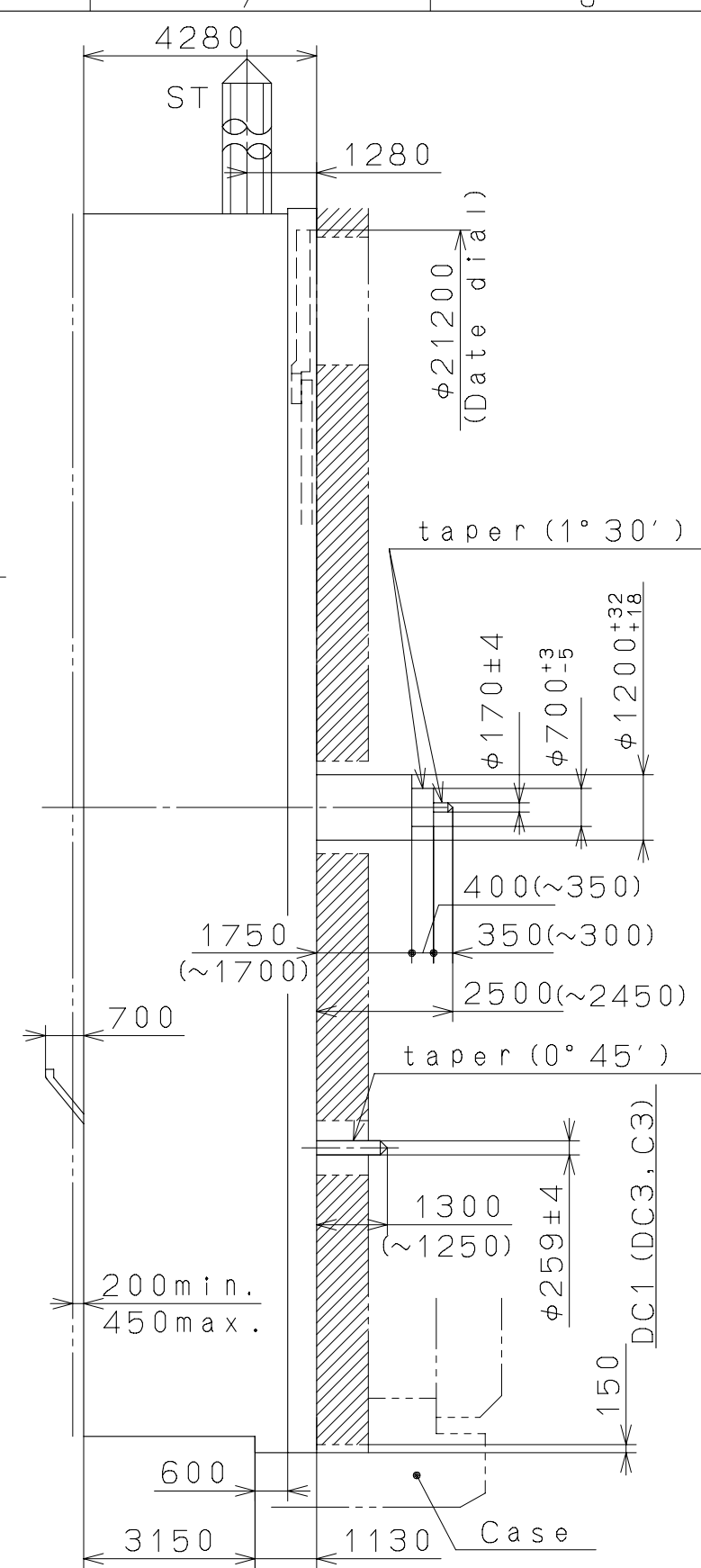
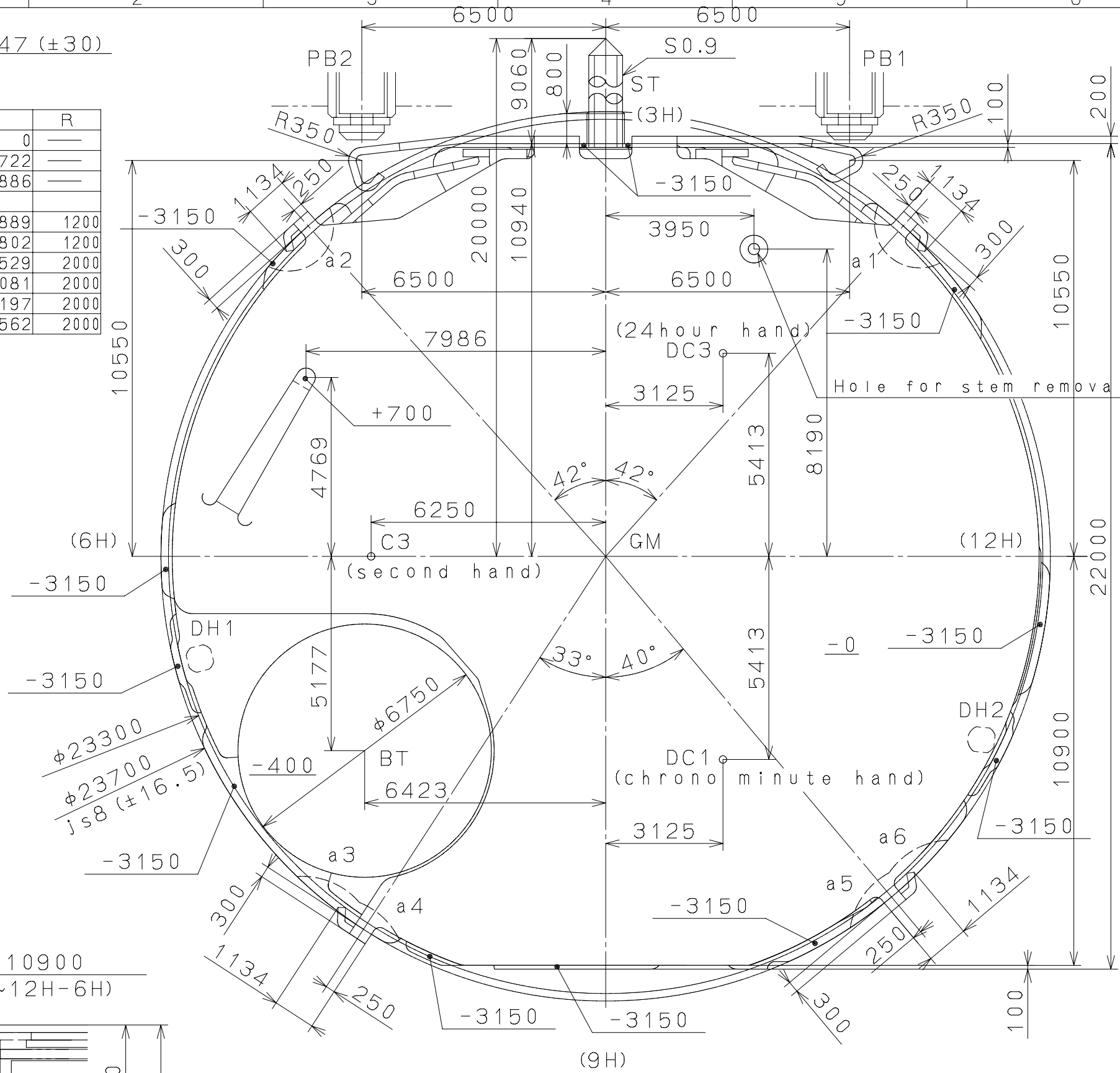
2007/12/21 (17:05:57)

This drawing is provisional and subject to our reconfirmation and/or revision without notice.

DH1~DH2=20947 (±30)

Coordinates

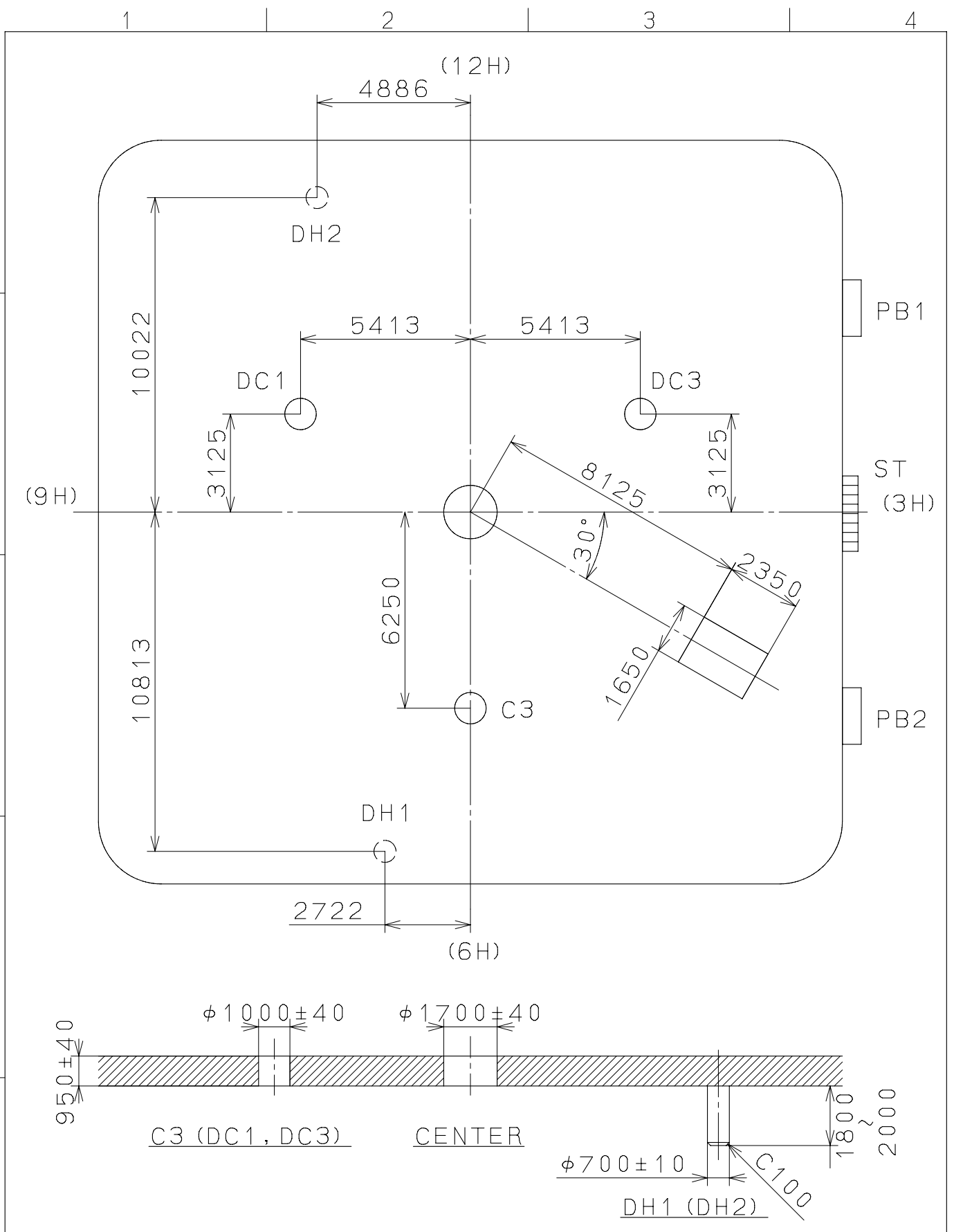
記号	X	Y	R
GM	0	0	—
DH1	-10813	-2722	—
DH2	10022	-4886	—
a1	8364	8889	1200
a2	-8455	8802	1200
a3	-8078	-10529	2000
a4	-7303	-11081	2000
a5	8494	-10197	2000
a6	9203	-9562	2000



△5		Quantity		Cal. NO.:	
△4		Unit	1/1000mm		FS04
△3		Scale	8 : 1	Parts No.:	
△2		Date			
△1		Drawn			
Mark	Date	Description	Appr.	Checked	N. Suzuki
Alterations				Approved	Name:
				Frame for Case	
Material				Drawing No.: FS04C000	
Heat Treatment				General Tolerances	
Hardness				Dimensions	
Plating				Angles	
MIYOTA					
CITIZEN WATCH CO., LTD. TOKYO, JAPAN					

2007/12/21 (17:07:17)

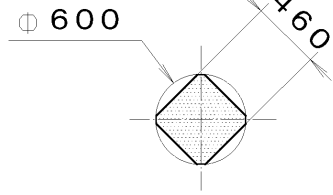
This drawing is provisional and subject to our reconfirmation and/or revision without notice.



△			Quantity		Cal.NO.:
△			Unit	1/1000 _{mm}	FS04-00A
△			Scale	6:1	Parts No.:
△			Date		
△			Drawn		
Mark	Date	Description	Appro.	Checked	Name:
		Alterations		Approved	Indications for Dial
Material					Drawing No.: FS04D000
Heat Treatment			General Tolerances		
Hardness			Dimensions		
Plating			Angles		
				CITIZEN WATCH CO., LTD. TOKYO, JAPAN	

This drawing is provisional and subject to our reconfirmation and/or revision without notice.

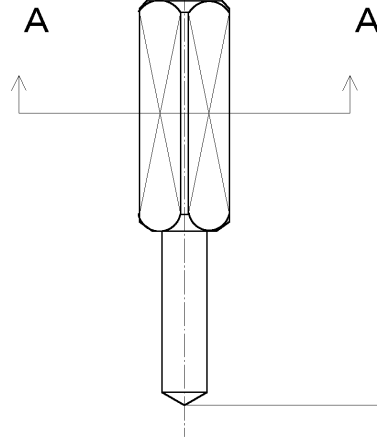
*** T I P W 065-549 (01) *** (2100 1121) 01-12-07



Section A-A

S0. 9, P=0. 225mm

Ø 1000



7			Quantity		Cal. No. :
6			Unit	1/1000 mm	
5			Scale	20:1	Parts:
4			Date		065-549
3			Drawn		Name:
2			Checked	T. Hiruta	SETTING STEM
1			Approved		Drawing No. : 5490S000
Material					
Heat Treatment		General Tolerances			
Hardness		Dimensions			
Plating		Angles			

CITIZEN WATCH CO., LTD.
TOKYO, JAPAN